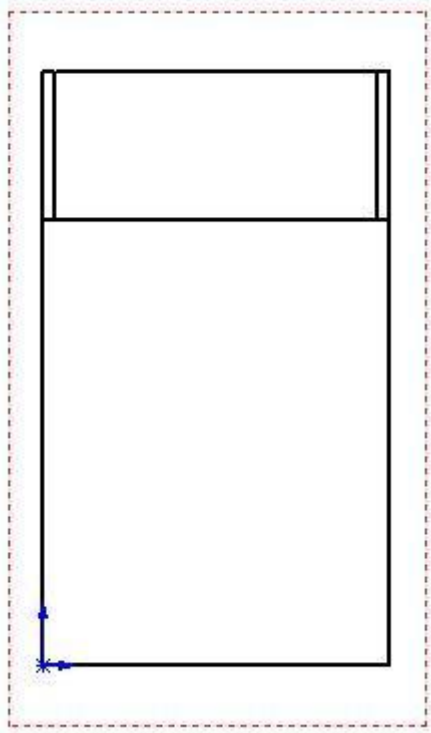
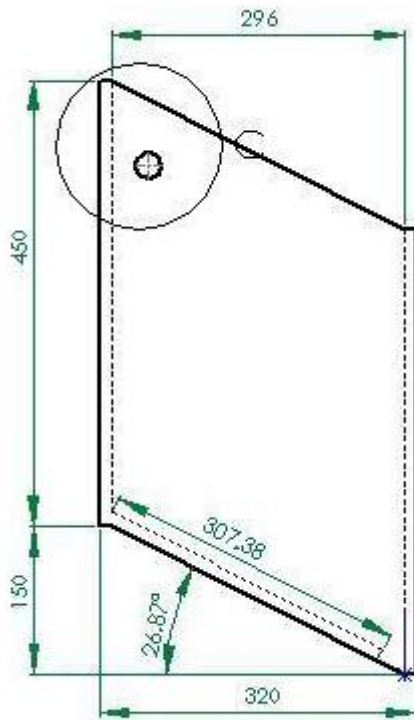


Supplementary files

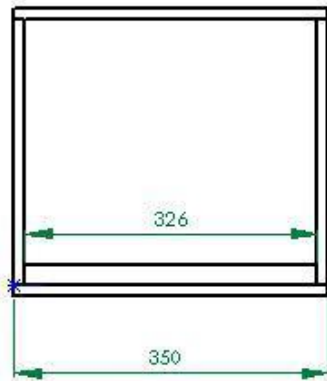
Urban trash container design perspectives of the body (a) front, (b) side and (c) top and of the lid (d) front, (e) side and (f) top. Dimensions of the project are in millimeters.



(a)



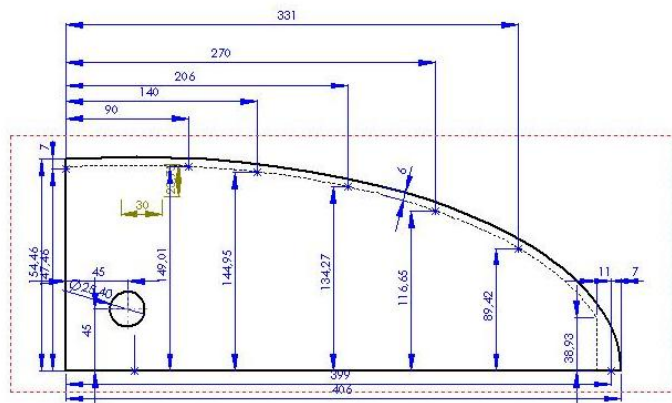
(b)



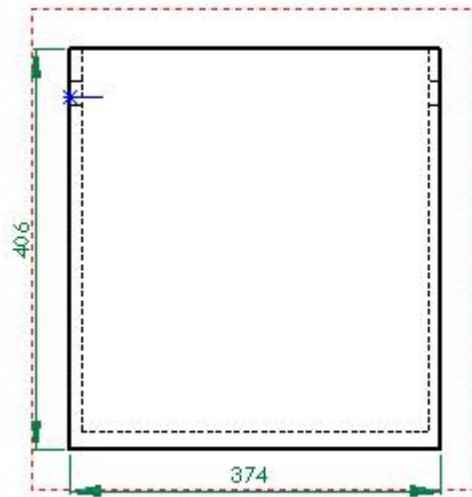
(c)



(d)



(e)



(f)